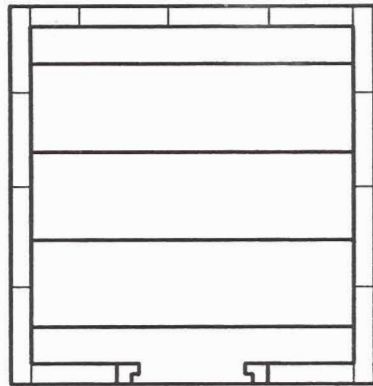
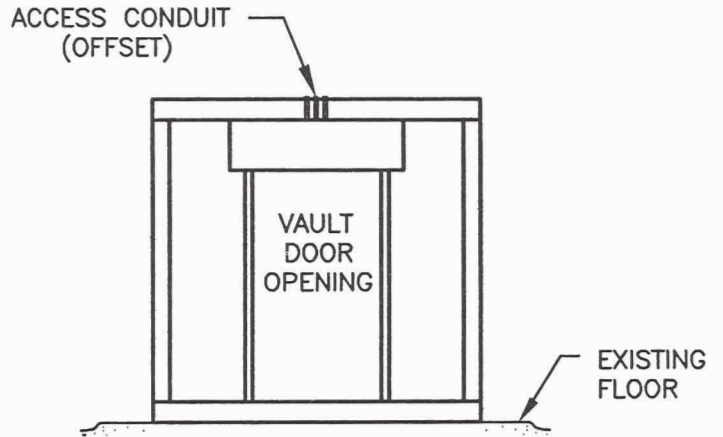


MEGACRETE™ MODULAR VAULT PANELS

UL CLASSIFICATION	APPROX. WEIGHT (PER SQ. FT. OF SURFACE)	THICKNESS (T)
CLASS M	53 LBS. (±10%)	4"
CLASS 1	80 LBS. (±10%)	6"
CLASS 2	126 LBS. (±10%)	9.5"
CLASS 3	173 LBS. (±10%)	13"

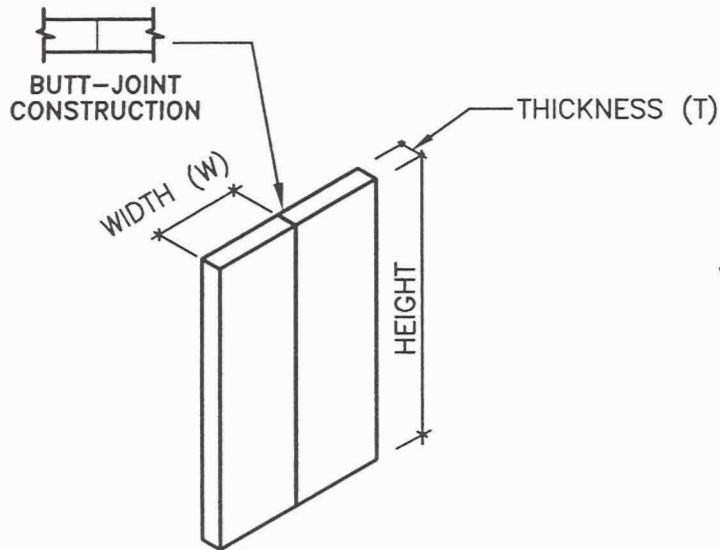


HORIZONTAL SECTION

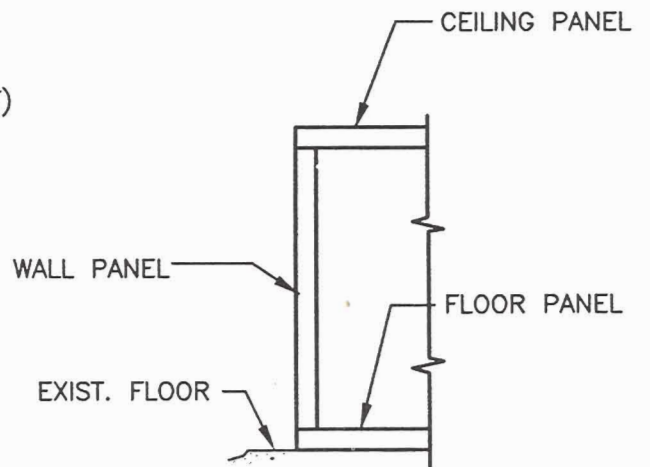


FRONT ELEVATION

TYPICAL VAULT LAYOUT



TYPICAL PANEL INTERFACE



TYPICAL
FLOOR/WALL/CEILING
SECTION

INTERNATIONAL VAULT INC.

2469 OLD 421 NORTH
SILER CITY, N.C. 27344

TEL 919-742-3132
FAX 919-742-3319

Email gml@intlco.com
WWW.INTERNATIONALVAULT.COM



**MEGACRETE™ MODULAR
VAULT SYSTEMS**

DRAWN BY: CMH	REVISION: B	SCALE: N.T.S.
CHECKED BY: DMW	DATE: 2005	DRAWING #: SD-P1-2