
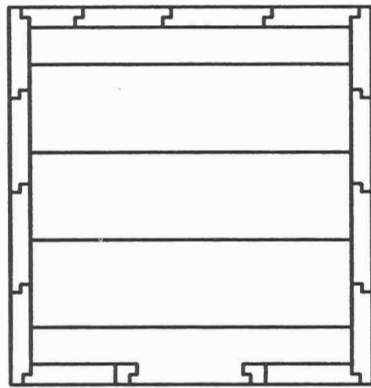
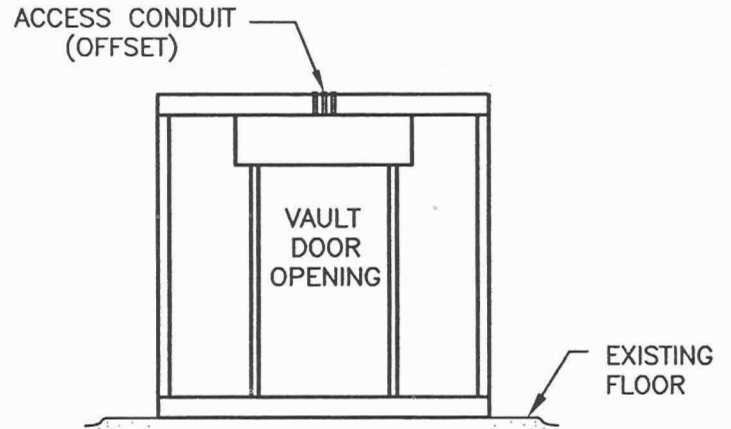


LIGHTWEIGHT MODULAR VAULT PANELS

 CLASSIFICATION	APPROX. WEIGHT (PER SQ. FT. OF SURFACE)	THICKNESS (T)
CLASS M	22 LBS. ($\pm 10\%$)	4"
CLASS 1	26 LBS. ($\pm 10\%$)	6"
CLASS 2	36 LBS. ($\pm 10\%$)	9"
CLASS 3	58 LBS. ($\pm 10\%$)	13.5"

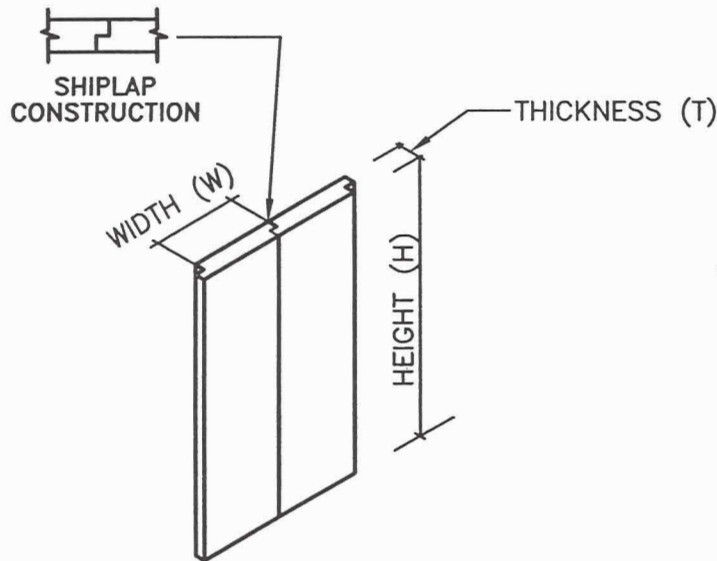


HORIZONTAL SECTION

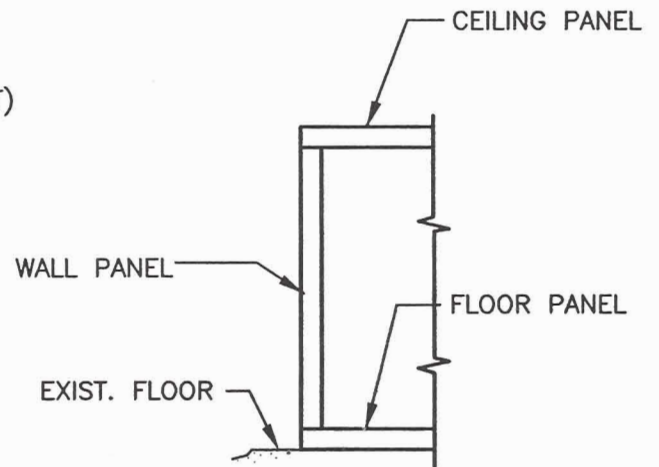


FRONT ELEVATION

TYPICAL VAULT LAYOUT



TYPICAL PANEL INTERFACE



TYPICAL
FLOOR/WALL/CEILING
SECTION

INTERNATIONAL VAULT INC.

2469 OLD 421 NORTH
SILER CITY, N.C. 27344

TEL 919-742-3132
FAX 919-742-3319

Email gml@intlco.com
WWW.INTERNATIONALVAULT.COM



**LIGHTWEIGHT MODULAR
VAULT SYSTEMS**

DRAWN BY: CMH	REVISION: B	SCALE: N.T.S.
CHECKED BY: DMW	DATE: 2005	DRAWING #: SD-P1-1